

Premium

**Quattro 40mm PLL LNB
IDLP-QTL413-PREMU-OPN**

Item: 6521

Specifically designed and selected to address the demand of the global DTH market for a competitive and 4G/LTE protected solution, this LNB provides optimized reception capabilities using the latest chipset technology and waveguide design for satellite signal reception. The LNB enables the reception of Satellite TV and radio from one satellite and its distribution via a Multiswitch to numerous Set-top boxes. The LNB supports HD and UHD transmissions, delivers one-of-a-kind RF performances, very low power consumption and importantly engineered to mitigate interferences from 4G/LTE transmissions.

Manufactured to the highest industry quality standards and engineered to meet strict specifications, this LNB is an ideal solution for the demanding customer of DTH operators and satellite broadcast reception across the world.

Main Features:

- Low Phase Noise, DVB-S2 (HD and UHD) compliant
- Very low Noise Figure
- Low power consumption
- High Cross Polarization Isolation
- High Frequency stability



www.inverto.tv

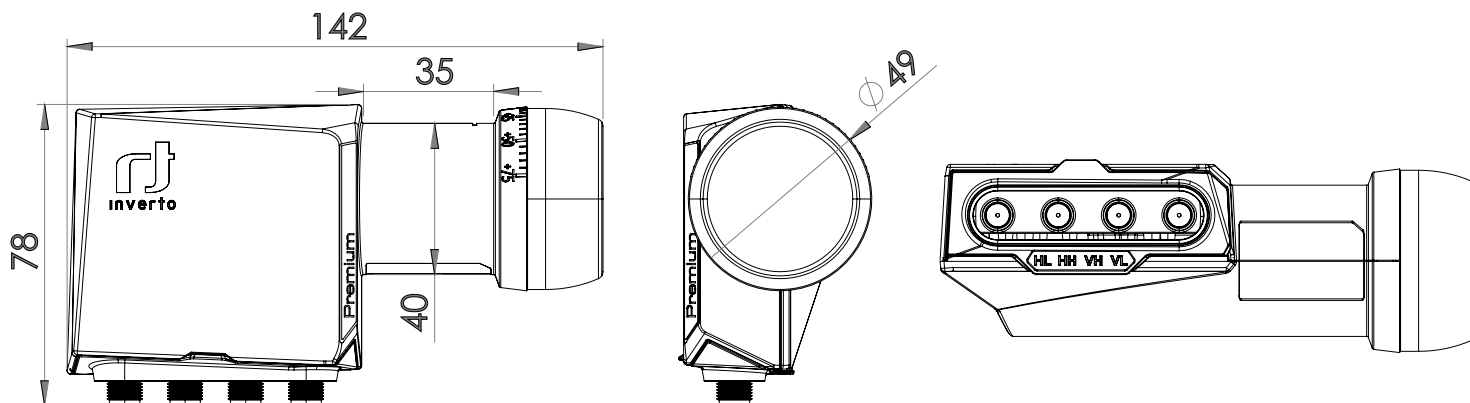


Technical data

Low band input frequency range	10.7 GHz ~ 11.7 GHz
Low band output frequency range	950 MHz ~ 1950 MHz
Low band LO frequency	9.75 GHz
High band input frequency range	11.7 GHz ~ 12.75 GHz
High band output frequency range	1100 MHz ~ 2150 MHz
High band LO frequency	10.6 GHz
Noise figure	0.2 dB typ. (0.7 dB max.)
LO temperature drift @ 60° C	±2.0 MHz max.
LO Initial accuracy (@ 25° C)	±500 kHz max.
LO phase noise @ 1 kHz	-70 dBc/Hz
LO phase noise @ 10 kHz	-80 dBc/Hz
LO phase noise @ 100 kHz	-90 dBc/Hz
LO phase noise @ 1 MHz	-100 dBc/Hz
Conversion gain	57 dB ~ 67 dB
Gain ripple (over 26 MHz bandwidth)	1 dB max. (peak-to-peak)
Gain variation (over full band)	4 dB max. (peak-to-peak)
Image rejection	40 dB min.
3th order intermodulation - ICP3	+10 dBm min
1 dB compression point (@ output)	0 dBm min.
Cross polarization isolation	22 dB min.
Output VSWR	2.0 : 1 max.
In band spurious level	-65 dBm max.
Current consumption	230 mA max. (10 VDC ~ 20 VDC)
Operating temperature	-30 °C ~ +60 °C
Output impedance	75 Ω (F-type)
Output connector type	F-Type (female)
Weight	176 g

Logistical info

Packaging dimensions (W x D x H)	14.6 cm x 8.3 cm x 5.6 cm
Packaging weight	211 g
Quantity per carton	50
Carton dimensions (W x D x H)	43.5 cm x 31.0 cm x 30.5 cm
Carton weight	11.2 kg
Quantity per pallet	1800



For purpose of brevity, some product descriptions in this sheet remain at platform level and may not be referred to as detailed datasheets of the products. Inverto Digital Labs reserves the right to amend, omit or add products, product-lines, and / or features without notice.

For further details contact: sales@inverto.tv
 FTA Communication Technologies S.à r.l. Tel. +352 264 367 1 Fax. +352 264 313 68
 17 Route de Luxembourg, Gonderange, L-6182, Luxembourg