

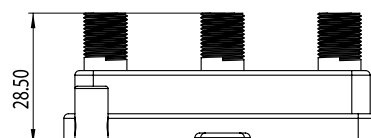
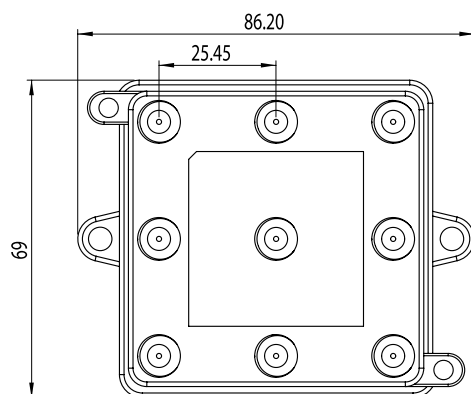
Unicable II 8-way splitter, 5-2400MHz

Model: IDLU-USP101-OUO80-OPB

Item: 5356

Technical Specifications

Frequency Range	5 - 2400MHz
Inputs	1x F-Type, female
Output	8x F-Type, female
Insertion Loss	15.5dB max.
Isolation between ports	18dB min.
Input Return Loss	-10dB max.
Output Return loss	-8dB max.
DC & 22kHz pass from Output to Input	Yes
Steering Diodes	Yes
Power Consumption	0.3W
Working Temperature	-30 ~ +60°C
Weight	124.8g
Dimensions	86.2x69x28.5mm



For purpose of brevity, some product descriptions in this sheet remain at platform level and may not be referred to as detailed datasheets of the products. Inverto Digital Labs reserves the right to amend, omit or add products, product-lines, and / or features without notice. As product specifications may change without notice, always contact Inverto to obtain the latest product specification sheets.

For further details contact: sales@inverto.tv

FTA Communication Technologies S.a r.l Tel. +352 264 367 1 Fax. +352 264 313 68



www.inverto.tv