

Click object to rotate

Ka



Single Ka Circular Dual polarity LNB 23mm

IDLW-SINLRA20-D2045-OPP

Item: 5030

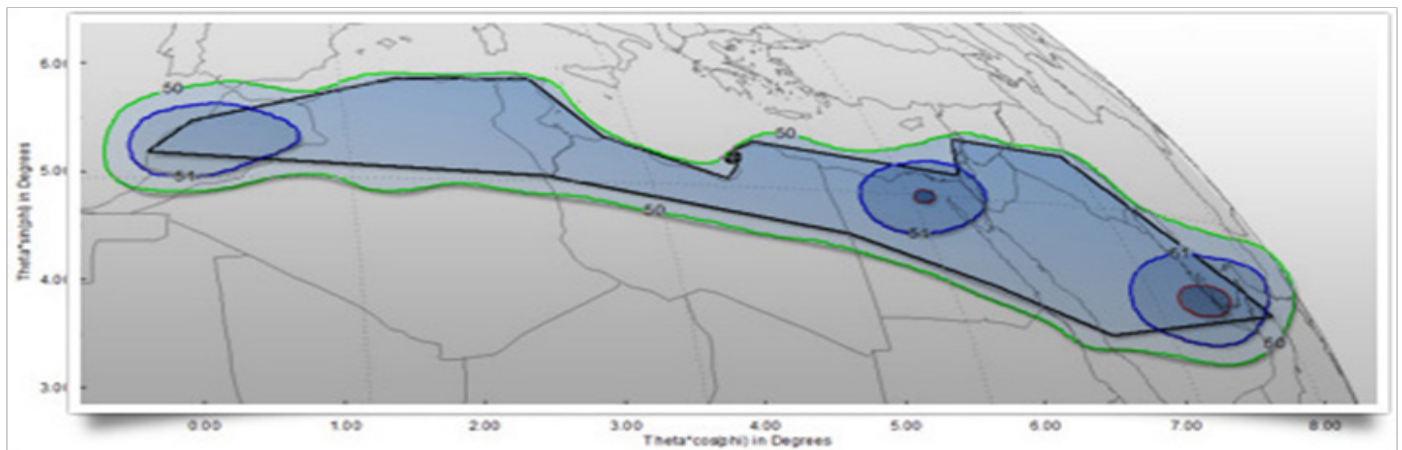
This WHITE Ka Single LNB was designed to enable reception of new broadband satellite TV, radio and data services offered over NileSat's Ka band across the MENA markets. The Single Ka LNB was designed to receive transmissions with Circular polarization and supports both RHSP and LHSP polarities. The LNB was designed to be used with a standard Ka offset dish antenna of 65-90cm diameter and F/D of 0.6. The external diameter of the feed is about 23mm and it is supplied with 40mm ring adapter to ensure compatibility with standard dish antennas. The LNB features a single IF output port that connects to a single tuner receiver supporting high speed internet transmissions or TV and Radio services. This LNB is using the highest quality components to ensure outstanding and consistent performance and durability and is manufactured under rigorous test conditions and strict quality standards.

Main Features:

- Pioneering LNB supporting broadband satellite services over Ka band
- High Frequency and Gain stability
- Low Phase Noise
- Low Noise Figure
- Low power consumption
- High Cross-Pole performance



Nilesat 201 Ka downlink coverage NileSat 201 – 7°W



It is one of the NileSat's second generation satellites and was launched in 4th of August 2010. NileSat 201 will replace NileSat 101 which is expected to terminate its mission during 2013. It also meets the growing demands for NileSat space capacities within the Middle East and North Africa (MENA) region, to maintain NileSat's leading position among the regional satellite operators. NileSat 201 has 24 Ku-band and 4 ka-band transponders. Its coverage includes MENA region, including the GULF region, and full coverage of Sudan and East of Africa.

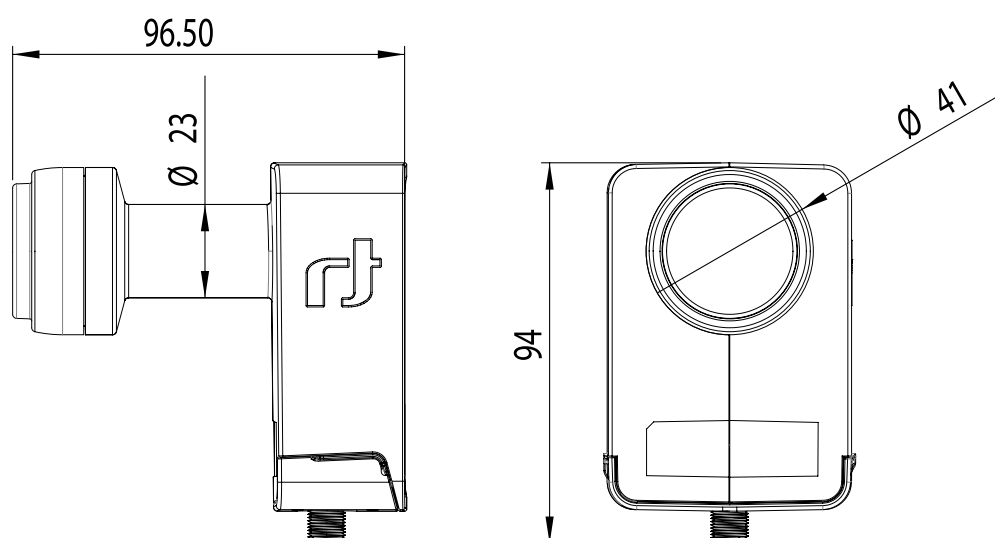
Source: NileSat

To learn more on NileSat 201 satellite – visit <http://nilesat.com.eg/Satellite/NileSat201/TechnicalInformation.aspx>

The LNB is suitable for the reception of the broadband services offered by Forsway in the MENA markets. To learn more on Forsway's satellite broadband services – visit <http://www.forsway.com/default.aspx>

Technical data

Input Frequency Range	21.4 - 22GHz
Output Frequency Range	950 ~ 1550 MHz
Low Band LO Frequency	20.45GHz
Polarization	Dual circular for Ka band (RHCP/LHCP)
Noise Figure	1.3 dB Typ.
LO Initial Accuracy @25°C	+/- 1.0 MHz Max.
LO Temperature Drift (30°C-60°C)	+/- 5.0 MHz Max.
Phase Noise (@ 10 kHz)	- 75 dBc/Hz Max.
Phase Noise (@ 100 kHz)	- 95 dBc/Hz Max.
Conversion Gain	50 - 60dB
Gain Ripple (Over 26MHz Bandwidth)	+/- 0.75 dB
Gain Variation (Over Full Band)	5 dB Max.
Image Rejection	40 dB Min.
1 dB Compression Point (@ Output)	0.0 dBm Min.
Cross Polarization Isolation	22 dB Min.
LHCP polarization	13V
RHCP polarization	18V
Output VSWR	2.5 : 1
In-Band Spurious	- 30 dBc Max.
Current Consumption	120 mA Max. @ 11 ~ 20 V
Operating Temperature	- 30 °C ~ + 60 °C
Output Impedance	75 Ω
Output Connector	1 x F-Type (Female)
Weight	90 g



For purpose of brevity, some product descriptions in this sheet remain at platform level and may not be referred to as detailed datasheets of the products. Inverto Digital Labs reserves the right to amend, omit or add products, product-lines, and / or features without notice.

For further details contact: sales@inverto.tv

FTA Communication Technologies S.a.r.l Tel. +352 264 367 1 Fax. +352 264 313 68



www.inverto.tv