



Click object to rotate

# Pro

Single C-Band Circular LNB with Scalar ring

IDLB-SINSRCOO-OOPRO-OPP

Item: 3124



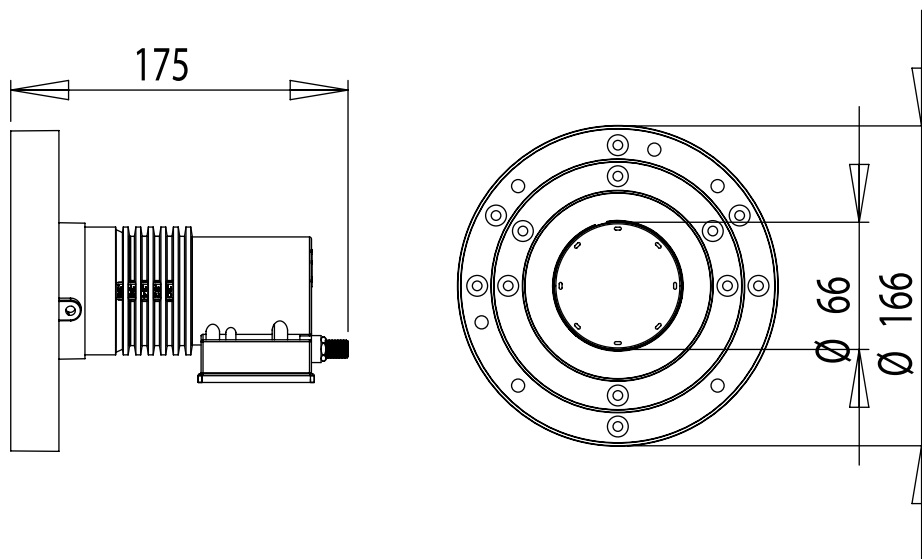
Specifically designed for the European DTH markets, this LNB provides optimized reception capabilities. It enables the reception of signal from one satellite and its distribution to a single tuner Set-top box. It is ready for High Definition transmissions and provides excellent Noise Figure performance. Manufactured to the highest industry quality standards and designed to meet strict specifications, this LNB is an ideal solution for C-band satellite broadcast reception across Europe.

#### Main Features:

- Low phase Noise HDTV-DVBS2 compliant
- Low Noise figure of max. 13°K
- Low Power consumption
- Very high Cross-Pole performance
- Very high Frequency stability

## Technical data

Input Frequency Range (V & H)	3.4 ~ 4.2 GHz
Output Frequency Range (V & H switchable)	950 ~ 1750 MHz
LO Frequency	5.15 GHz
LO Initial Accuracy @ 25°C	± 1.0 MHz
LO Temperature Drift (-30 ~ +60 °C)	±2.0 MHz
LO Phase Noise @ 10KHz	-90 dBc/Hz
Noise Figure	13 [ max.] °K
Conversion Gain	60 [ min.] dB
Gain Variation	±1 dB/36MHz
Image Rejection	40 [ min.] dB
Output 1 dB Compression Point	0 [ min.] dBm
Output Spurious	- 60 (max.) dBc
Output VSWR	~2.5 : 1
Polarization Selection (Right Hand)	16V ~ 20V
Polarization Selection (Left Hand)	11V~ 14V
DC Power	190mA Max.@11-20V
Working Temperature	- 25°C ~ + 60°C
Output Impedance	75 Ω (F-Type)
Weight	255 g



For purpose of brevity, some product descriptions in this sheet remain at platform level and may not be referred to as detailed datasheets of the products. Inverto Digital Labs reserves the right to amend, omit or add products, product-lines, and / or features without notice.

For further details contact: [sales@inverto.tv](mailto:sales@inverto.tv)

FTA Communication Technologies S.a.r.l Tel. +352 264 367 1 Fax. +352 264 313 68

