



## Unicable II Power Inserter, 5-2400MHz

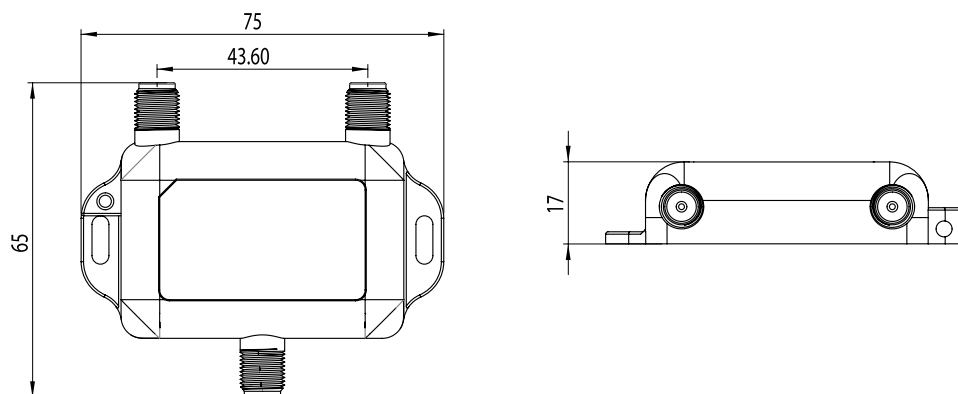
Model: IDLU-PINS02-00000-OPP

Item: 5380

### Technical Specifications

Frequency Range	5 - 2400MHz
DC In	19V/1A, 1x F-Type, female
ODU Input (IF)	1x F-Type, female
STB Output (IF)	1x F-Type, female
Insertion Loss	3dB max.
Input Return Loss	-10dB max.
Output Return loss	-10dB max.
Max current flow-through	750mA
Output Voltage (Input @19V, 940mA)	17V
Working Temperature	-30 ~ +60°C
Weight	81g
Dimensions	65x75x17.3mm

**Note:** Supplied together with AC/DC power adapter unit.



For purpose of brevity, some product descriptions in this sheet remain at platform level and may not be referred to as detailed datasheets of the products. Inverto Digital Labs reserves the right to amend, omit or add products, product-lines, and / or features without notice. As product specifications may change without notice, always contact Inverto to obtain the latest product specification sheets.

For further details contact: [sales@inverto.tv](mailto:sales@inverto.tv)

FTA Communication Technologies S.a.r.l. Tel. +352 264 367 1 Fax. +352 264 313 68



[www.inverto.tv](http://www.inverto.tv)