



Click object to rotate

Pro

Single Straight-feed 40mm LNB with embeded DiSEqC

IDLB-SINS40-DISEQ-OPP

Item: 3115



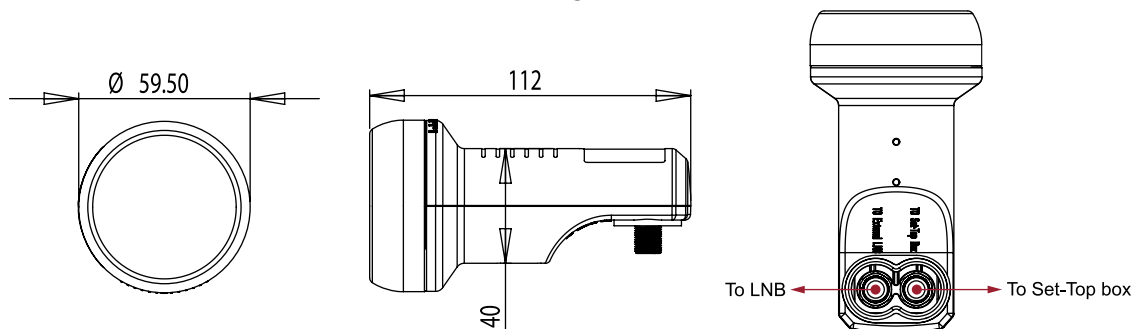
With its embedded DiSEqC this LNB will enable the connection of an additional single LNB without the need to add an additional external switch. It is suitable for users wanting to receive 2 satellites which are not supported with one of our existing Monoblock LNBs due to a unique desired angle between the two LNBs or due to the use of a dish larger than 80cm. As it was specifically designed for the European DTH markets, this LNB provides optimized reception capabilities. It is ready for High Definition transmissions and provides excellent Noise Figure performance. Manufactured to the highest industry quality standards and designed to meet the most strict specifications, this LNB is an ideal solution for the satellite broadcast reception across Europe.

Main Features:

- Low phase Noise HDTV-DVBS2 compliant
- Low Noise figure of 0.2 dB
- Low Power consumption
- Very high Cross-Pole performance
- Very high Frequency stability

Technical data

Low Band Input Frequency Range	10.7 ~ 11.7 GHz
Low Band Output Frequency Range	950 ~ 1950 MHz
Low Band LO Frequency	9.75 GHz
High Band Input Frequency Range	11.7 ~ 12.75 GHz
High Band Output Frequency Range	1100 ~ 2150 MHz
High Band LO Frequency	10.6 GHz
Noise Figure	0.2 dB Typ. (0.7dB Max.)
LO Initial Accuracy	+/- 1.0 MHz Max.
LO Temperature Drift	+/- 3.0 MHz Max.
Phase Noise (@ 10 kHz)	- 90 dBc / Hz Max.
Conversion Gain	52 ~ 65 dB
Gain Ripple (Over 26 MHz Bandwidth)	+/- 0.75 dB
Gain Variation (Over Full Band)	+/- 4 dB Max.
Image Rejection	40 dB Min.
1 dB Compression Point (@ Output)	0.0 dBm Min.
Cross Polarization Isolation	22 dB Min.
Control Signal Ca (Vertical Polarization)	11.0 ~ 14.0 V
Control Signal Cb (Horizontal Polarization)	16.0 ~ 20.0 V
Control Signal Cc (Band Switching)	22 +/- 4 kHz
DiSEqC A Input	Das Integrierte LNB
DiSEqC B Input	Das Externe LNB
In-Band Spurious	- 60 dBm Max.
Current Consumption	120 mA Max. @ 11 ~ 20 V
Operating Temperature	- 30 °C ~ + 60 °C
Output Impedance (to STB)	75 Ω
Output Connector	F-Type (Female)
Output VSWR (to STB)	2.5 : 1
Input Impedance (to 2nd LNB)	75 Ω
Input Connector	F-Type (Female)
Input VSWR (to 2nd LNB)	2.5 : 1
Weight	134 g



For purpose of brevity, some product descriptions in this sheet remain at platform level and may not be referred to as detailed datasheets of the products. Inverto Digital Labs reserves the right to amend, omit or add products, product-lines, and / or features without notice.

For further details contact: sales@inverto.tv

FTA Communication Technologies S.a.r.l Tel. +352 264 367 1 Fax. +352 264 313 68

