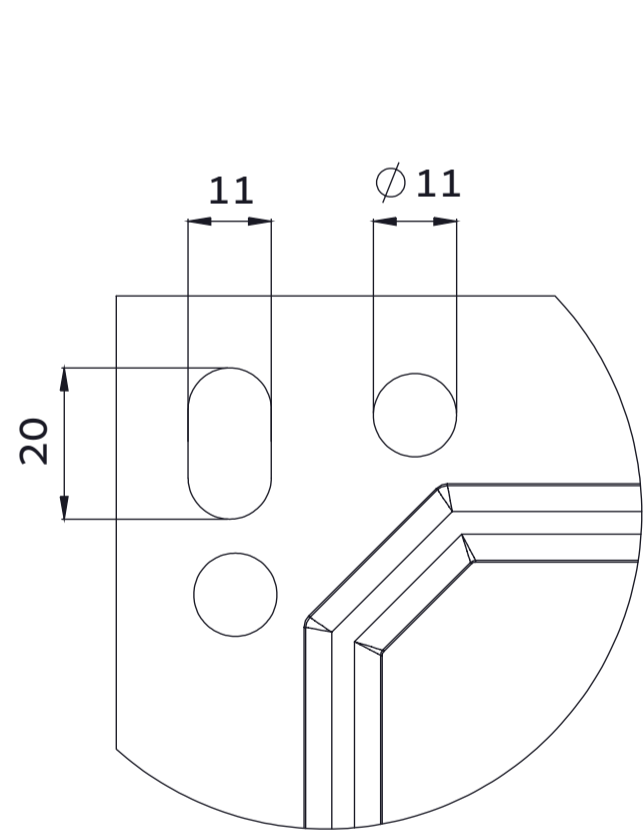
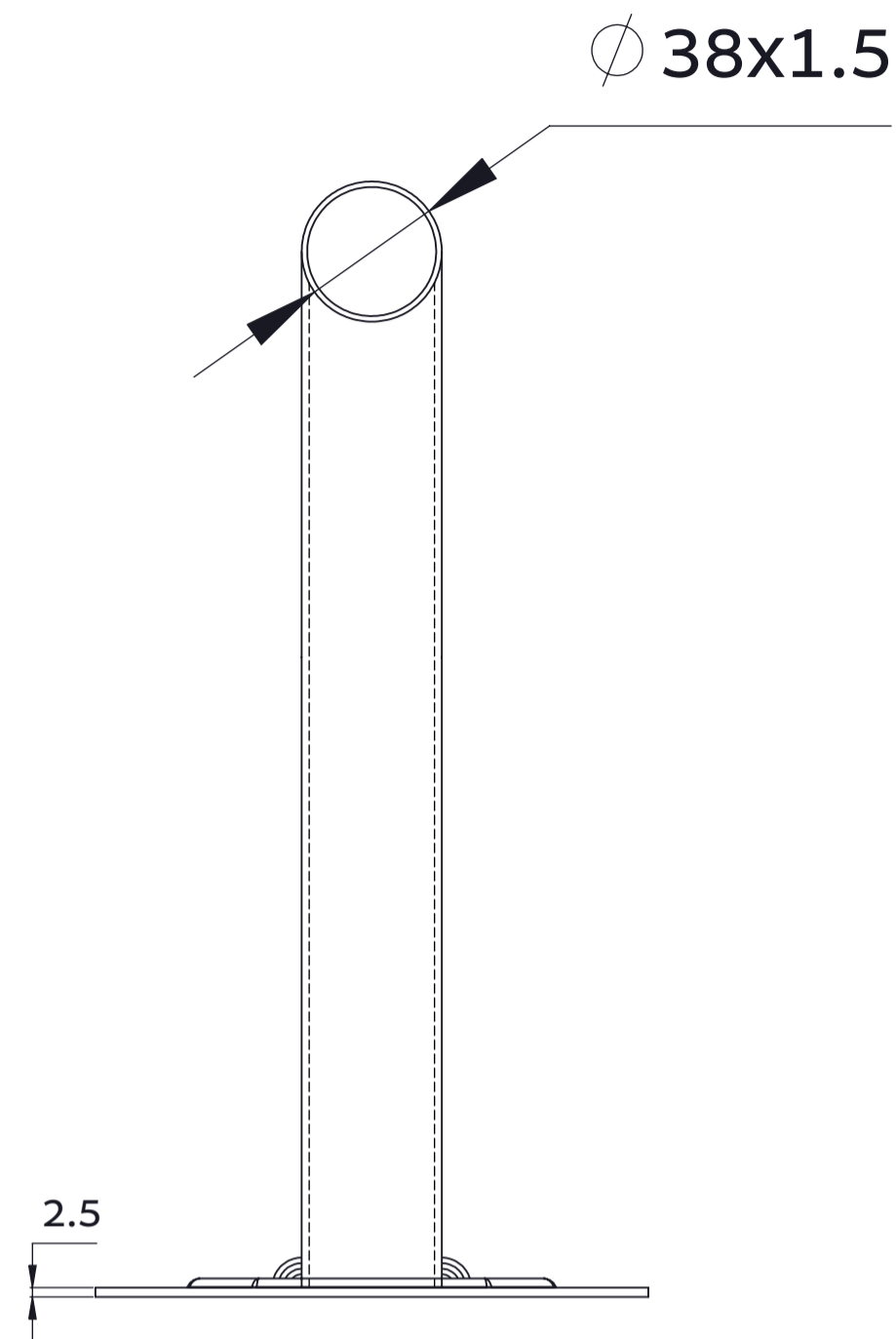
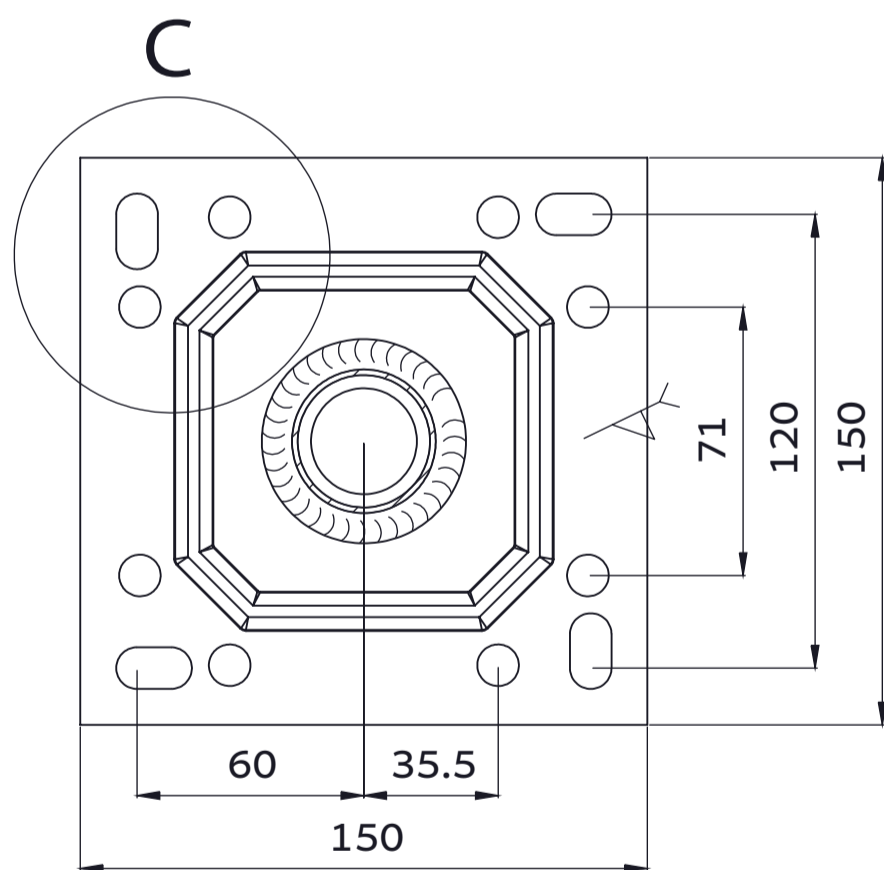


B
(Detail)

B



C
(Detail)



A-A
(Cross Section)

