

Click object to rotate

# BLACK Premium

Selected Quad 40mm LNB  
IDLB-QUDL40-PREMU-OPP  
Item: 3311



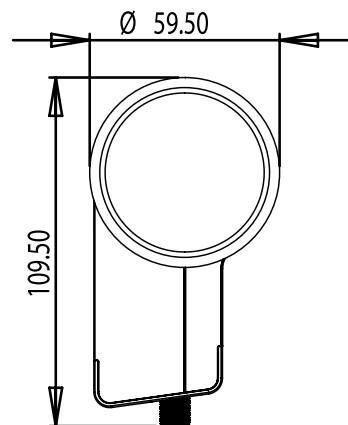
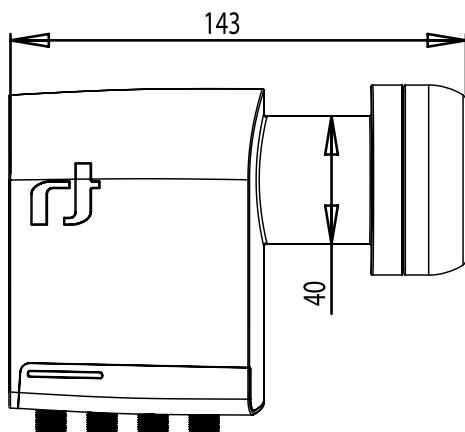
This high-end LNB was specially selected from our production line and sets new standards of quality and reliability. It enables the reception of signals from one satellite and its distribution to maximum four Set Top Boxes with Single Tuner (or two Set Top Boxes with Twin Tuner). It is ready for High Definition transmissions and provides excellent Noise Figure performance. Designed to meet strict specifications and manufactured to the highest industry quality standards, this LNB is an ideal solution for satellite broadcast reception across Europe.

## Main Features:

- Very low Noise Figure
- Low Phase Noise, DVB-S2 (HDTV) compliant
- Low Power Consumption
- High Cross Polarization Isolation
- High Frequency Stability

## Technical data

Low Band Input Frequency Range	10.7 ~ 11.7 GHz
Low Band Output Frequency Range	950 ~ 1950 MHz
Low Band LO Frequency	9.75 GHz
High Band Input Frequency Range	11.7 ~ 12.75 GHz
High Band Output Frequency Range	1100 ~ 2150 MHz
High Band LO Frequency	10.6 GHz
Noise Figure	0.2 dB Typ. (0.7 dB Max.)
LO Initial Accuracy	+/- 1.0 MHz Max.
LO Temperature Drift	+/- 3.0 MHz Max.
Phase Noise (@ 10 kHz)	- 85 dBc / Hz Max.
Conversion Gain	55 dB Min.
Gain Ripple (Over 26 MHz Bandwidth)	+/- 0.75 dB
Gain Variation (Over Full Band)	+/- 4 dB Max.
Image Rejection	40 dB Min.
1 dB Compression Point (@ Output)	0.0 dBm Min.
Cross Polarization Isolation	22 dB Min.
Control Signal Ca (Vertical Polarization)	11.0 ~ 14.0 V
Control Signal Cb (Horizontal Polarization)	16.0 ~ 20.0 V
Control Signal Cc (Band Switching)	22 +/- 4 kHz
Output VSWR	2.5 : 1
In-Band Spurious	- 60 dBm Max.
Current Consumption	200 mA Max. @ 11 ~ 20 V
Operating Temperature	- 30 °C ~ + 60 °C
Output Impedance	75 Ω
Output Connector	F-Type (Female)
Weight	243 g



For purpose of brevity, some product descriptions in this sheet remain at platform level and may not be referred to as detailed datasheets of the products. Inverto Digital Labs reserves the right to amend, omit or add products, product-lines, and / or features without notice.

For further details contact: [sales@inverto.tv](mailto:sales@inverto.tv)

FTA Communication Technologies S.a.r.l. Tel. +352 264 367 1 Fax. +352 264 313 68



[www.inverto.tv](http://www.inverto.tv)